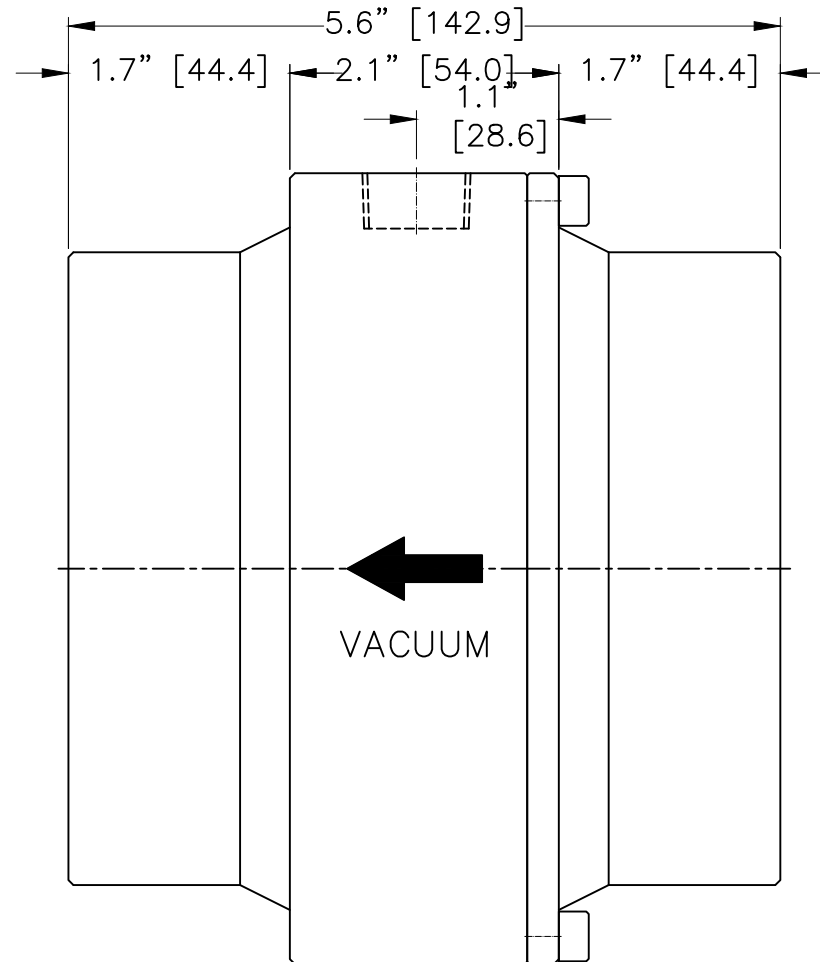
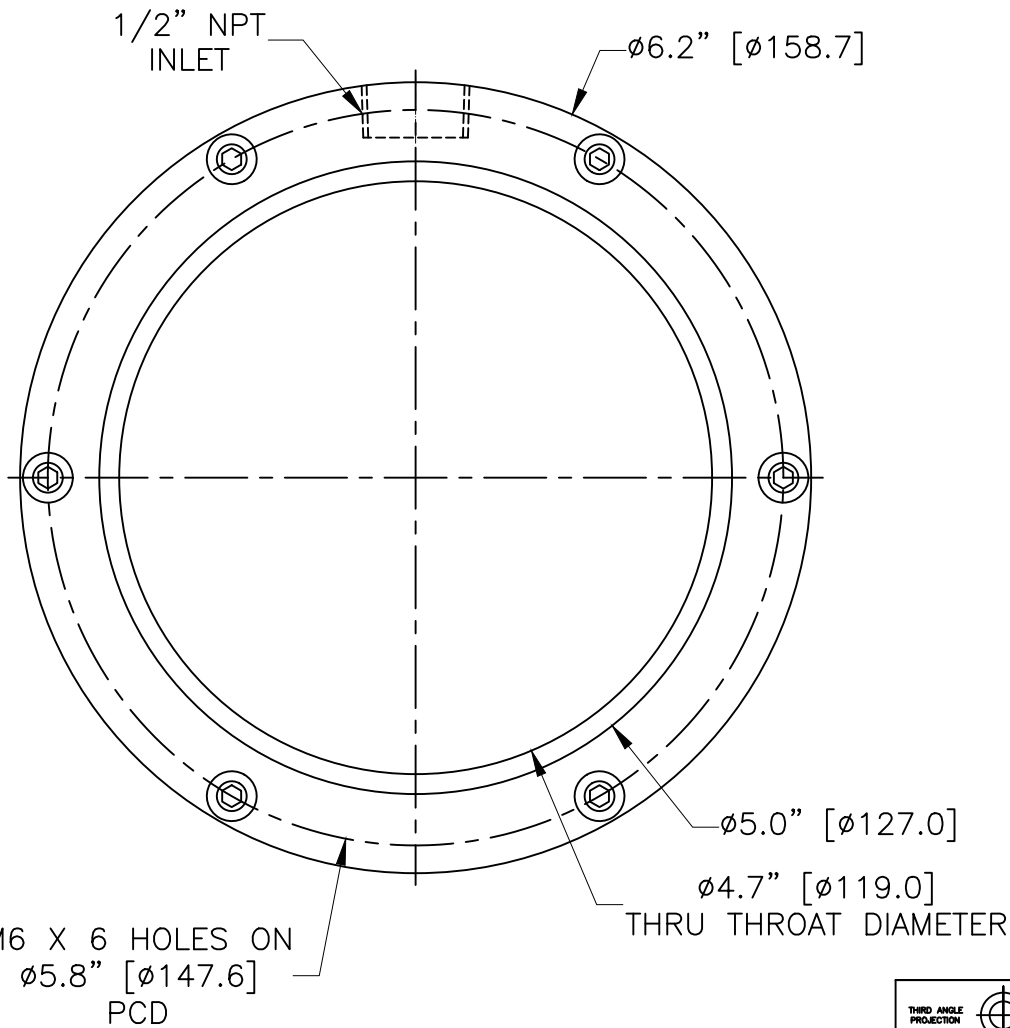


5" SS-304 RV OUTLINE



PROPRIETARY
REPRODUCTION OR DISTRIBUTION
WITHOUT WRITTEN CONSENT OF
NEXFLOW™ IS PROHIBITED.

THIRD ANGLE PROJECTION		REQUIREMENTS-UNLESS OTHERWISE SPECIFIED		CONTRACT NUMBER --		NEX FLOW AIR PRODUCTS CORP. 10520 YONGE STREET, UNIT 35B-220, RICHMOND HILL, ON L4C 3C7 TEL.: (416) 410-1313 & FAX: (416) 410-1806 www.nex-flow.com						
		GENERAL		CLIENT --	CONTRACTOR --	DATE		TITLE				
MATERIAL	SS-304	1. DIMS ARE IN INCHES (MM) 2. DIMENSIONING AND TOLERANCING IN ACCORDANCE WITH ANSI Y14.5 (1982) 3. MACHINE FINISH 125 MICRO INCH RMS 4. INTERNAL RADI .015" (0.4) 5. BREAK SHARP CORNERS 0.005" (0.1) TO 0.015" (0.4)		DESIGN CHIRAG.S	10/03/2018	CHECKED ASHISH		5" SS-304 RING VAC OUTLINE				
FINISH	BUFFING	LIMITS		PROJECT --	G.A.	MANUFACTURING		SIZE	CAGE CODE	PART NO	RELEASE	REV
		1. LINEAR DIMS. XXX = .005" (0.1) XXX = .010" (0.3) XXX = .030" (0.8)		STRESS --		THERMAL		C	--	30008S-0L	P	1
		2. ANGLES $\pm 1/2^\circ$ 3. RUNOUT .010 TIR 4. HOLES IN ACCORDANCE WITH AND 10387		MATERIALS		ELECTRICAL		SCALE	1:1	DWG NO	SHEET	1 OF 1